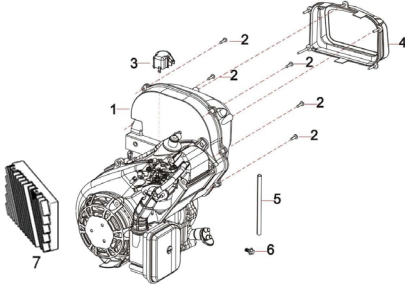


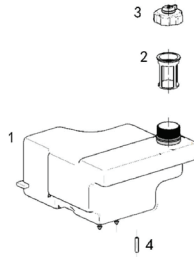
EXPLODED VIEW AND SPARE PARTS LIST RD-GG10

FIG.1 ENGINE/WIND SCOOPER/INVERTER



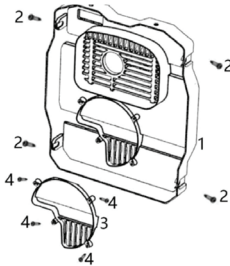
REF.NO.	DESCRIPTION	Q'TY
1-1	Engine	1
1-2	Tapping screw	5
1-3	Cap	1
1-4	Muffer Cover	1
1-5	Fuel pipe	1
1-6	Flange Bolt	1
1-7	Inverter panel	1

FIG.2 TANK, FUEL



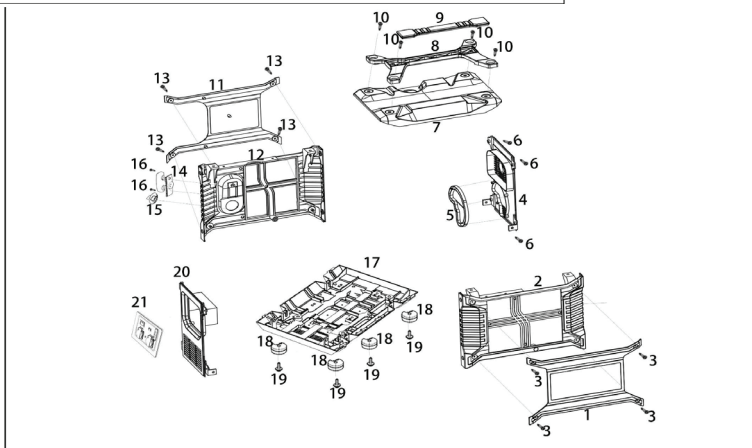
REF.NO.	DESCRIPTION	Q'TY
2-1	Fuel Tank ASSY	1
2-2	Fuel Filter	1
2-3	Cap	1
2-4	Filter Element	1

FIG.3 MUFFLER COVER



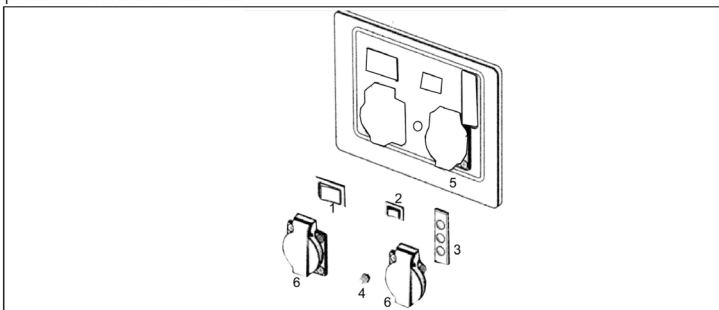
REF.NO.	DESCRIPTION	Q'TY
3-1	Muffler Cover Set	1
3-2	Cross Pan Bolts	4
3-3	Alternator Cover	1
3-4	Tapping Screw	4

FIG.4 OUTSIDE COVER SET



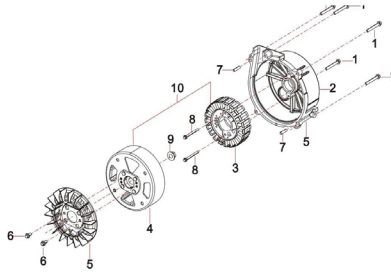
REF.NO.	DESCRIPTION	Q.TY
4-1	Air filter cover set	1
4-2	Right side plastic board parts	1
4-3	Tapping Screw	4
4-4	Muffer cover	1
4-5	Alternator fan cover	1
4-6	Tapping Screw	4
4-7	Up side plastic board parts	1
4-8	Handle	1
4-9	Handle decorative plastic parts	1
4-10	M6X18 screw	4
4-11	Left side plastic decorative board parts	1
4-12	Left side plastic board parts	1
4-13	Tapping Screw	4
4-14	Starter handle	1
4-15	Multi function switch	1
4-16	Tapping Screw	2
4-17	Base board plate	1
4-18	Anti shocking parts	4
4-19	M6X18 screw	4
4-20	Front side plastic board parts	1
4-21	Panel assembling set	1

FIG.5 CONTROL PANEL ASSY



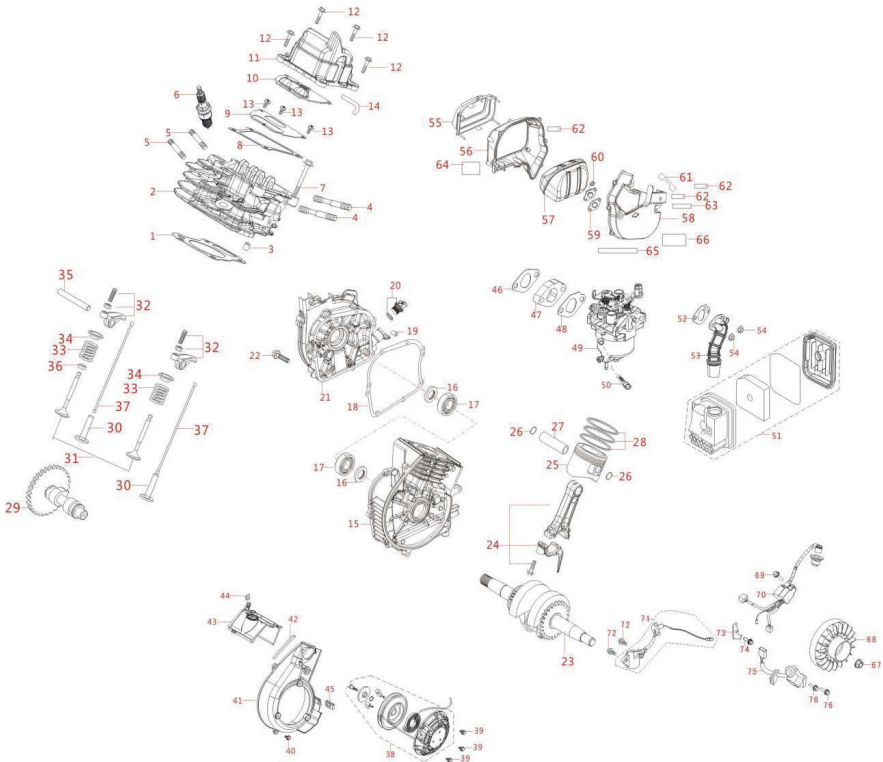
REF.NO.	DESCRIPTION	Q.TY
5-1	ECO/MAX Switch	1
5-2	ON/OFF Switch	1
5-3	3-IN-1 LED Indicator	1
5-4	Earth connection	1
5-5	Control panel plate	1
5-6	AC socket	2

FIG.6 ROTOR/STATOR



REF.NO.	DESCRIPTION	Q'TY
6-1	Flange Bolt	5
6-2	alternator cover	1
6-3	Stator ASSY	1
6-4	Rotor ASSY	1
6-5	Engine Impeller	1
6-6	Flange Bolt	2
6-7	pin	2
6-8	Flange Bolt	2
6-9	Flange Nut	1

ENGINE RD-GG10 scheme



ENGINE RD-GG10 parts list

REF.NO	DESCRIPTION	QTY	REF.NO.	DESCRIPTION	QTY	REF.NO.	DESCRIPTION	QTY
1	GASKET, CYLINDER HEAD	1	31	valve	1	61	MUFFLER SHILED GASKET 1	1
2	CYLINDER HEAD	1	32	VALVE ROCKER	2	62	MUFFLER SHILED GASKET 2	2
3	PIN	2	33	SPRING	2	63	MUFFLER SHILED GASKET 3	3
4	STUD	2	34	VALVE SPRING SEAT	2	64	Heat protection paper	1
5	STUD	2	35	VALVE ROCKER SHAFT	1	65	Heat protection paper	1
6	SPARK PLUG	1	36	SEAL GUARD	1	66	Heat protection paper	1
7	CYLINDER HEAD BOLT	4	37	VALVE LIFTER	2	67	FLYWHEEL NUT	1
8	CYLINDER HEAD COVER GASKE	1	38	RECOIL STARTER ASSY.	1	68	FLYWHEEL SUBASSEMBLY	1
9	BREATH PLATE	1	39	BOLT	3	69	BOLT	1
10	BREATH GROOVE GASKET	1	40	BOLT	3	70	IGNITOR	1
11	CYLINDER HEAD COVER	1	41	SHROUD	1	71	OIL SE	1
12	BOLT	4	42	SHROUD SEAL STRIP	1	72	BOLT	2
13	BOLT	3	43	CILINDER AIR SHILED	1	73	CLAMP	1
14	BREATHER TUBE	1	44	Limit card	1	74	BOLT	1
15	CRANKCASE	1	45	NUT	1	75	IGNITION COIL	1
16	OIL-SEAL	2	46	CARBURETOR GASKET	1	76	BOLT	2
17	BEARING	2	47	CARBURETOR INSULATOR PLATE	1			
18	CRANKCASE GASKET	1	48	CARBURETOR INSULATOR GASKET	1			
19	PIN	2	49	CARBURETOR ASSY.	1			
20	OIL DIPSTICK	1	50	FUEL STRAINER	1			
21	CRANKCASE COVER	1	51	AIR FILTER	1			
22	BOLT	7	52	AIR FILTER GASKET	1			
23	CRANKSHAFT ASSY.	1	53	AIR FILTER INTAKE DUCT	1			
24	CONNECTING ROD	1	54	NUT	2			
25	PISTON	1	55	MUFFLER SIDE COVER	1			
26	PISTON PIN CLIP	2	56	MUFFLER SHROUD	1			
27	PISTON PIN	1	57	MUFFLER BODY	1			
28	PISTON RING ASSY.	1	58	MUFFLER SHIELD	1			
29	CAMSHAFT ASSY.	1	59	EXHAUST OUTLET GASKET	1			
30	VALVE TAPPET	2	60	NUT	2			